

MARK VII™



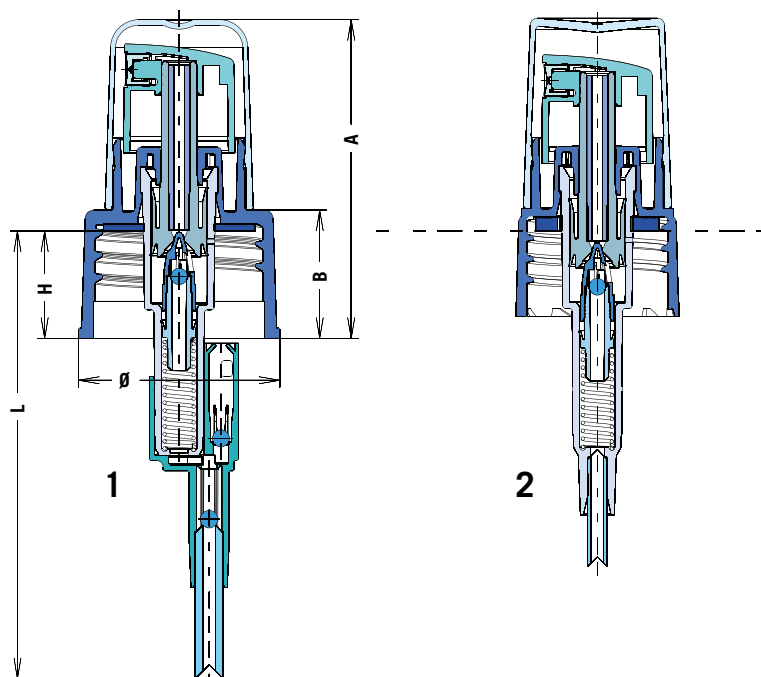


PHARMA MARK VII™



DIMENSIONS

	Pump 1	Pump 2
Dimension A	41.00 - 51.50mm	41.00 - 51.50mm



FITMENTS

Description	Ø (mm)	B (mm)	H (mm)
GL 20	23.4	15.5	13.05
GPI 20-400	23.6	12.5	10.05
GPI 20-410	24.3	15.85	12.85
GPI 22-415	27.2	23.22	20.04
GPI 24-410	28.9	18.4	15.18
GPI 24-410 USD ¹⁾	28.9	18.4	15.43

DIP TUBE

Description	L (mm)
MK VII (all versions) - the specified length is always determined from "under gasket".	*TBA by customer

BOTTLE NECKS

Designation of thread according to GPI-Standard	Outer diameter of thread [mm]	Inner diameter of thread [mm]	Height of thread [mm]	Recommended application torque acc. to GPI [Ncm]	Number of turns
DIN GL 20	20	18	14	113	min. 2
GPI 20-400	19.65	17.5	11.8	113	min. 2
GPI 20-410	19.63	17.5	13.82	113	min. 2
GPI 22-415	21.64	19.5	21	125	min. 2
GPI 24-410	23.62	21.49	16.35	135	min. 2
GPI 24-410 USD ¹⁾	23.62	21.49	16.35	135	min. 2

GPI - Glass Packaging Institute; Washington (www.gpi.org)

* TBA = to be agreed (within technical limitations)

¹⁾USD = Upside down

MARK VII™

topical application



Spray head

