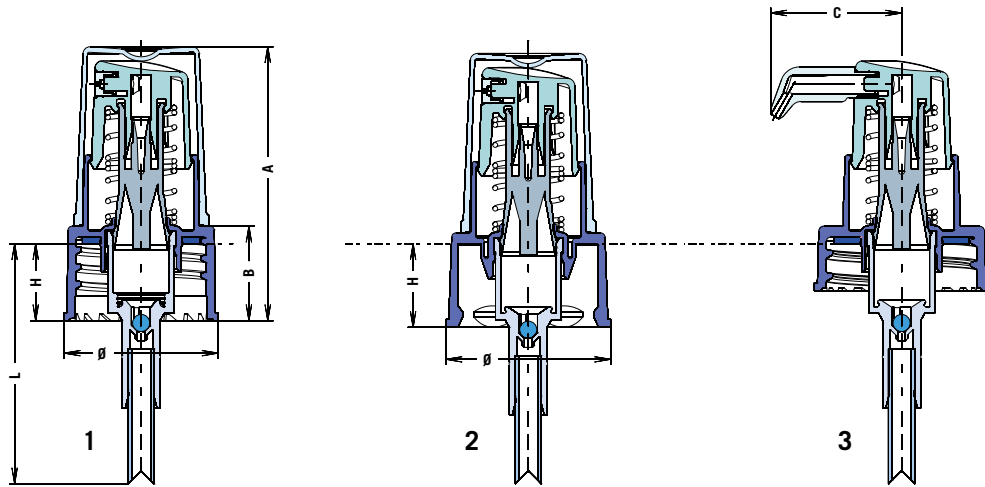


DIMENSIONS

	Pump 1	Pump 2	Pump 3
Dimension A	47.0 - 52.6mm	52.6mm	43.0 - 48.5mm
Dimension C	NA	NA	24.3mm



APPLICATION

Description	Remarks
Spray Head and Dispensing Head	*TBA by customer

DIP TUBE

Description	L (mm)
Sprayette IV (all versions) - the specified length is always determined from "under gasket".	*TBA by customer

FITMENTS

Description	Ø (mm)	B (mm)	H (mm)
GPI 24-410	28.5	17.5	14.25
GPI 28-400	32.3	12	8.75

Description	Ø (mm)	B (mm)	H (mm)
S 26	30.5	17.5	15.5

BOTTLE NECKS

Designation of thread according to GPI-Standard	Outer diameter of thread [mm]	Inner diameter of thread [mm]	Height of thread [mm]	Recommended application torque acc. to GPI [Ncm]	Number of turns
GPI 24-410	23.6	21.5	16.35	113-203	min. 2
GPI 28-400	27.3	24.9	10.5	136-237	min. 1

Designation of thread according to FEA-Standard	Inner diameter [mm]	Snap on diameter	Height of thread [mm]	Recommended application torque [Ncm]	Number of turns
S 26 Snap on	--	--		Bottle neck drawing by request	

GPI - Glass Packaging Institute; Washington (www.gpi.org)

* TBA = to be agreed (within technical limitations)

FEA - Fédération Européenne des Aérosols; Brussels (www.aerosol.org)

SPRAYETTE IV™

topical application



Spray head 16mm

Dispensing head